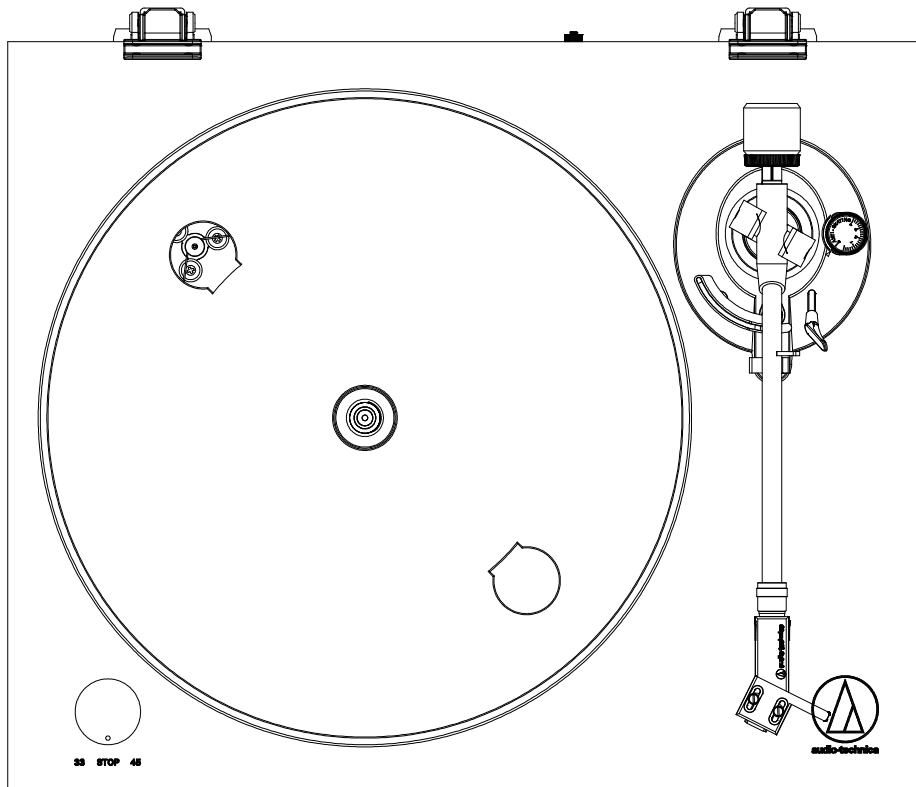


MODEL: AT-LPW30TK



## SPECIFICATION

### Turntable

Drive system .....	Belt drive
Motor .....	DC motor
Rotation speed.....	331/3rpm,45rpm
Rotation speed variation .....	± 2%
Wow and flutter.....	0.2%
SN ratio.....	67dB or higher(A-weighted,20kHz LPF)
Turntable.....	Aluminum die-cast 30cm(12")diameter

### Tone arm

Arm type	Static-balanced straight-pipe tone arm
Effective arm length .....	223.6mm
Stylus pressure variation range .....	0-3g
Acceptable cartridge weight.....	3-8g

### Cartridge

Type .....	MM
Output voltage .....	4mV ± 3dB
Stylus pressure .....	2.0 ± 0.2g
Cartridge weight.....	6.1 ± 0.5g
Included headshell weight.....	15g (including screws,nuts and wires)

### Output voltage

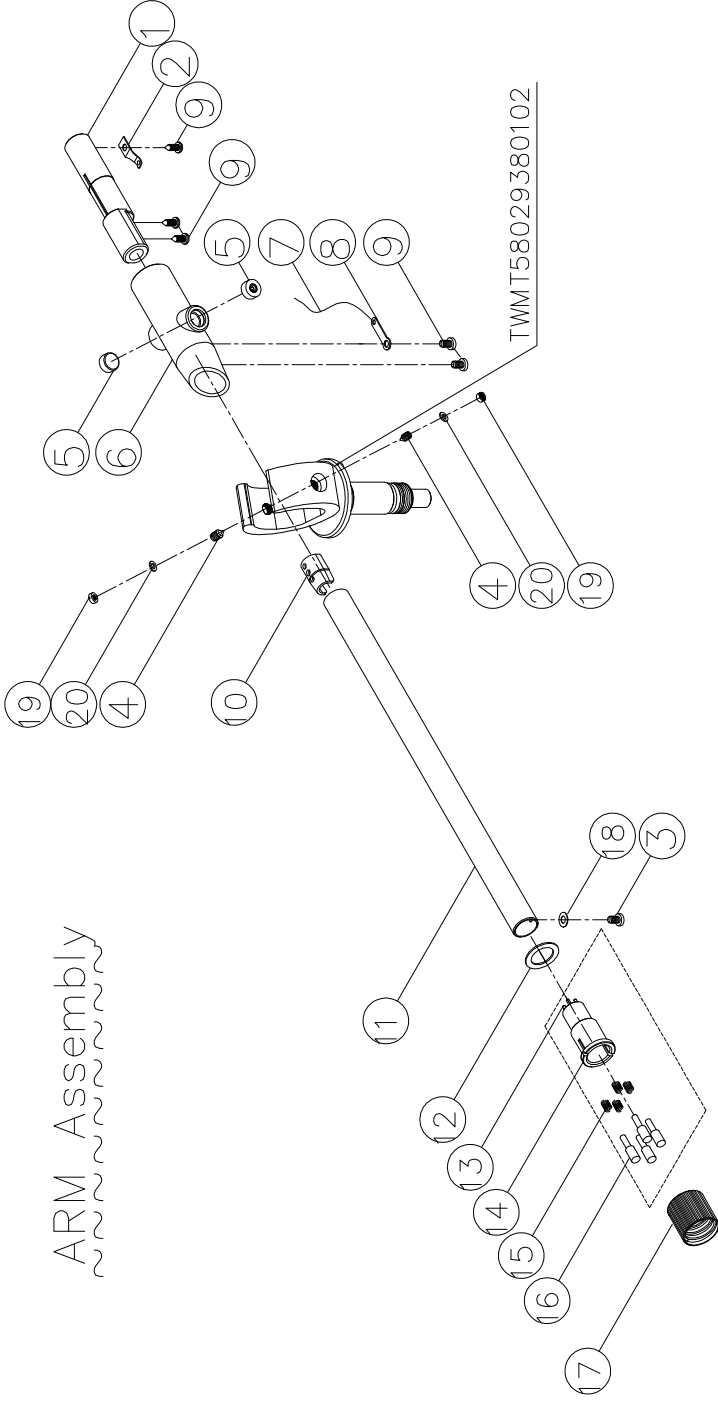
PHONO EQ THRU .....	4mV ± 3dB
PHONO EQ ON.....	200mV(-14dBV)
Output jacks.....	RCA

### General

AC adapter power	
Input .....	AC 100V-AC 240V,50-60Hz
Output .....	12V,500 mA
Power consumption	
Standby.....	0.5W or less
On(START) .....	1.5W or less
Weight .....	4.72kg(10 2/5 lb)
Operating temperature range .....	5° C to 35° C
Dimensions(WxHxD)(including protrusions)	420X340X116.9mm(16 5/8"X14 1/8"X4 5/8")

●Performance data is specified at 20° C

# ARM Assembly

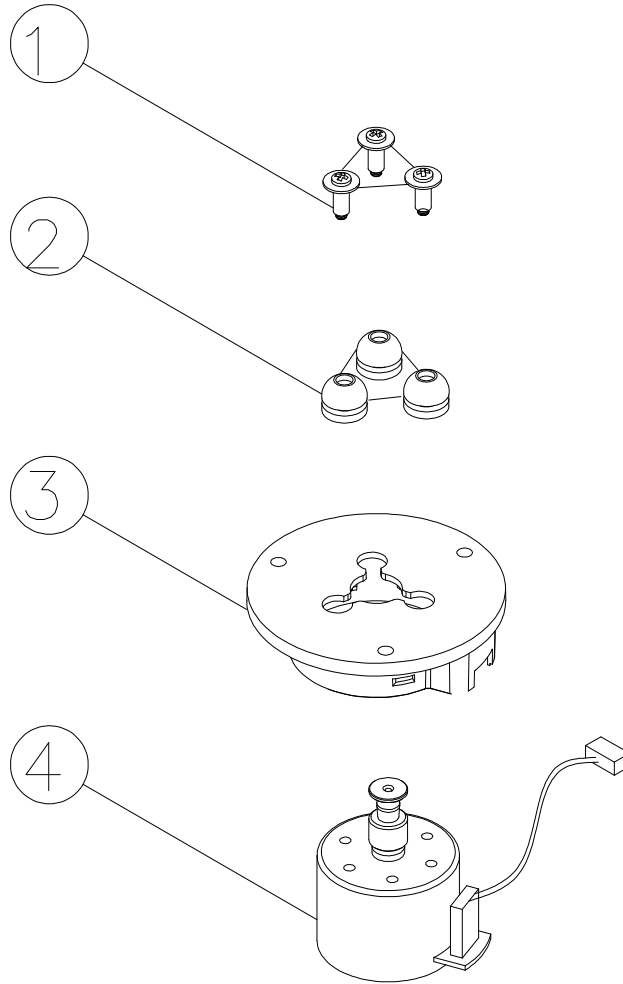


PART NO.	NAME	NAME(CHINESE)	Q"TY	PART NO.	NAME	NAME(CHINESE)	Q"TY
① PT580100501	CONVEX POINT	平衡桿(電鍍漆)	1	④ TWB7-319	BRONZE ASSEMBLY	銅套塑膠加工組品	1
② MT360100501	WASHER	重垂彈片	1	⑤ B7-5	SPRING	彈簧	4
③ SC0203PAPI	SCREW(M2X3)	螺絲(M2X3) 自攻	1	⑥ MT390070601	STUD HEADSHELL	銅心(短)	4
④ MT5801310	ARM SCREW	唱臂螺絲	2	⑦ MT350070109	BRONZE	銅質(烤銀霧)	1
⑤ TMMT3501202	BEARING	軸承組品	2	⑧ WS2402205IN	WASHER	華司(彈簧2MM)	1
⑥ PT580111301	ARM BASE PROCESS	唱臂RM管座(噴銀漆)	1	⑨ NUT0504JCP	NUT	螺帽	2
⑦ WR0036130B1	WIRE BLACK 130MM	唱柄線黑色(1.30MM)	1	⑩ WS20401XN	WASHER	華司	2
⑧ SK8	GROUND PLATE	焊片	1				
⑨ SC0204PBNI	SCREW	螺絲	5				
⑩ MT3504404	FIXED PLATE	固定鐵板	1				
⑪ MT580093901	ARM TUBE PROCESS	ARM管(鋁)(烤銀漆)	1				
⑫ MT3700701	WASHER	墊片	1				
WR0100002701	WIRE ASSEMBLY	唱柄線(藍)2.70MM	1				
WR0100002702	WIRE ASSEMBLY	唱柄線(綠)2.70MM	1				
WR0100002703	WIRE ASSEMBLY	唱柄線(紅)2.70MM	1				
WR0100002704	WIRE ASSEMBLY	唱柄線(白)2.70MM	1				

TWPA1263638E

# BASE(MOTOR) ASSEMBLY

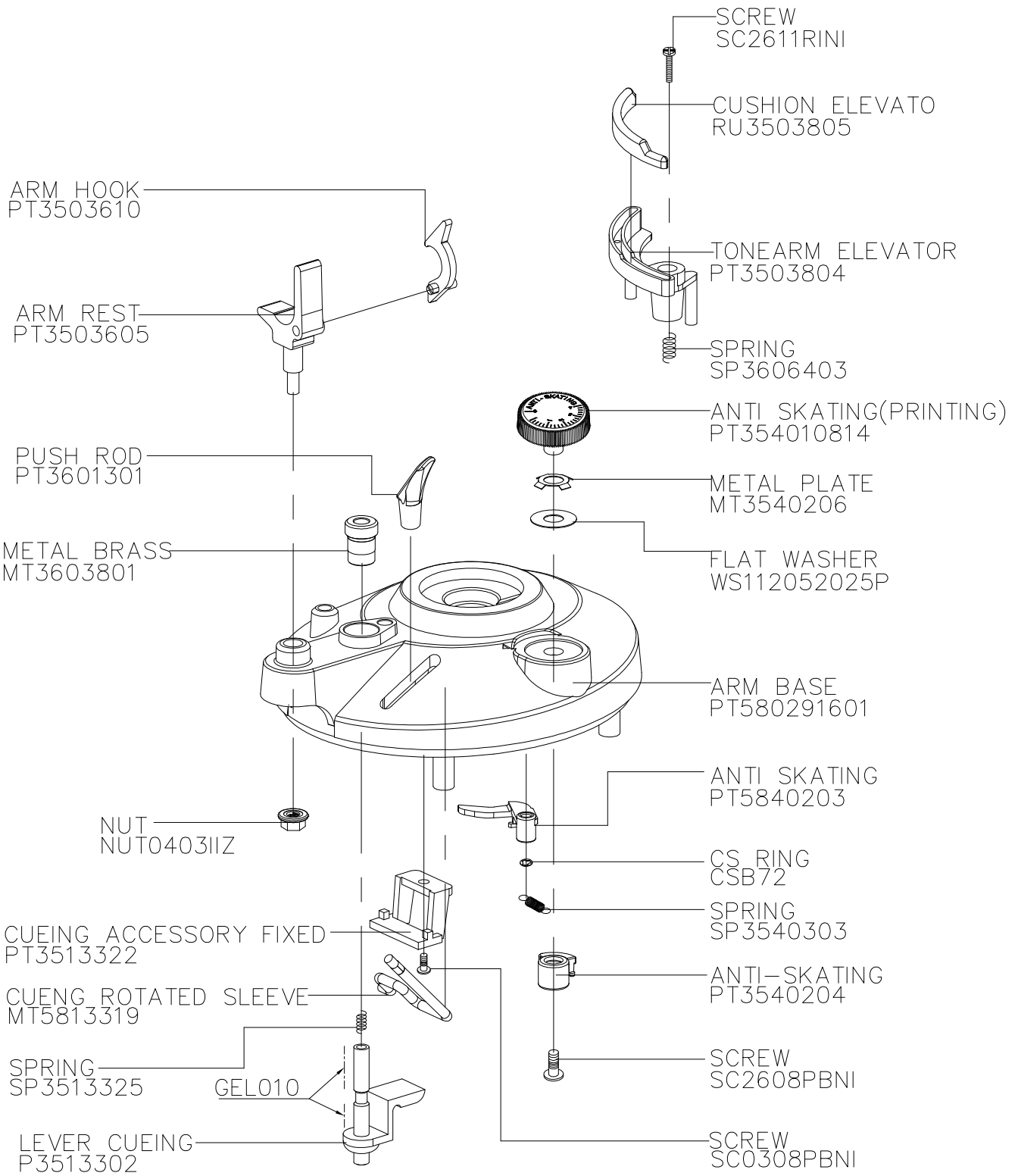
TWPT580291402



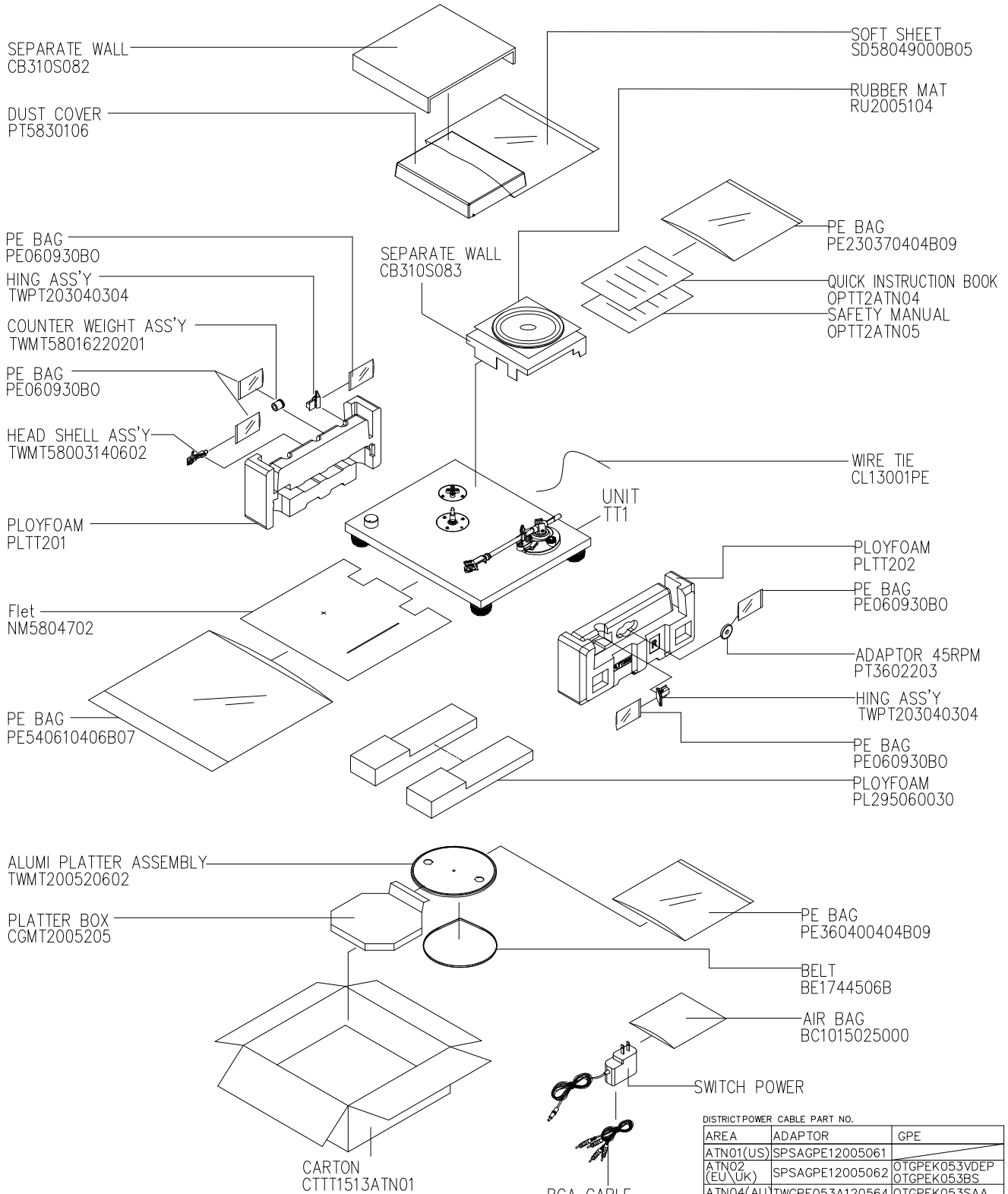
TWPT580291402				
	PART NO.	NAME	NAME(CHINESE)	Q'TY
①	SC2608W8INI	SCREW	螺絲	3
②	RU4109301	CUSHION MOTOR	馬達橡膠粒	3
③	PT5802914	BASE(MOTOR)	馬達固定座	1
④	TWM09S60T17-419	MOTOR ASSEMBLY (MEM09S60T17-4)	馬達組品(MEM09S60T17-4)	1

# ARM BASE Assembly

~~~~~  
TWPT58029160101



# PACKING DIAGRAM



註: 信號線 SWITCH POWER 置入氣泡袋後貼膠帶固定於木箱上

| DISTRICT POWER CABLE PART NO. |                 |                               |
|-------------------------------|-----------------|-------------------------------|
| AREA                          | ADAPTOR         | GPE                           |
| ATN01(US)                     | SPSAGPE12005061 |                               |
| ATN02(EU \ UK)                | SPSAGPE12005062 | OTGPEK053VDEP<br>OTGPEK053BS  |
| ATN04(AU)                     | TWGPE053A120564 | OTGPEK053SAA                  |
| ATN06(KS)                     | TWGPE053A120566 | OTGPEK053KS                   |
| ATN0A(CN \ HK)                | TWGPE053A12050A | OTGPEK053ACCCP<br>OTGPEK053BS |
| ATN0S(SP)                     | TWGPE053A12050S | OTGPEK053BS                   |
| ATN0R(RU)                     | TWGPE053A12050R | OTGPEK053VDEP                 |

## GPE053A

| TT1ATN01        | TT1ATN02        | TT1ATN04        | TT1ATN06        |
|-----------------|-----------------|-----------------|-----------------|
| SPSAGPE12005061 | SPSAGPE12005062 | TWGPE053A120564 | TWGPE053A120566 |
| UL              | EU/UK           | AU              | KS              |

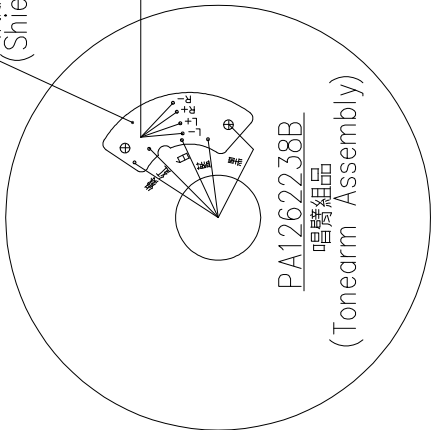
| TT1ATN0S        | TT1ATN0A        | TT1ATN0R       |  |
|-----------------|-----------------|----------------|--|
| TWGPE053A12050S | TWGPE053A12050A | SPSAGPE120050R |  |
| SP              | CN/HK           | RU             |  |

|                 |             |                                                                                               |                                                                                                    |
|-----------------|-------------|-----------------------------------------------------------------------------------------------|----------------------------------------------------------------------------------------------------|
| SPSAGPE12005062 | UK/EU(英/歐)  | <br>GPE UK   | <br>GPE EU      |
| TWGPE053A120564 | SAA(澳)      | <br>GPE SAA |                                                                                                    |
| TWGPE053A120566 | KC(韓)       | <br>GPE KS |                                                                                                    |
| TWGPE053A12050S | UK (英)      | <br>GPE UK |                                                                                                    |
| TWGPE053A12050A | UK/CCC(英/中) | <br>GPE UK | <br>GPE China |
| SPSAGPE120050R  | EU(歐)       | <br>GPE EU |                                                                                                    |

# WIRING DRAWING

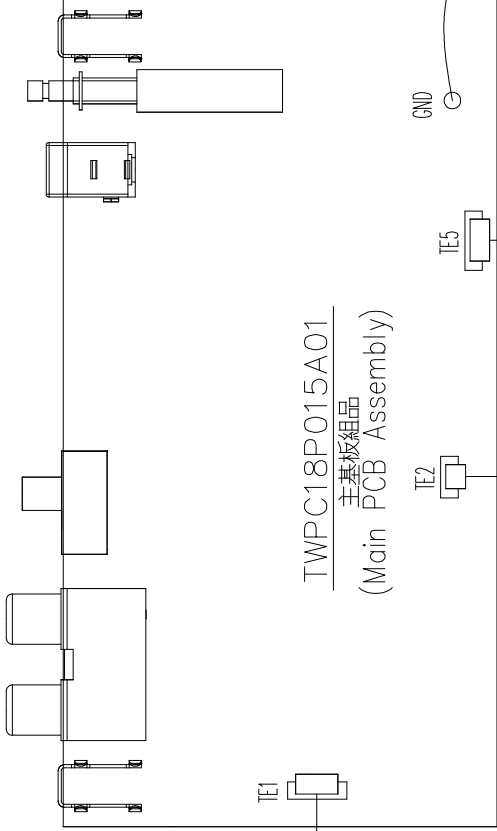
TWWR0520001504Z

隔離線組品  
(Shielding Cable Assembly)



WR0520001504+0TPVC04740

TE1



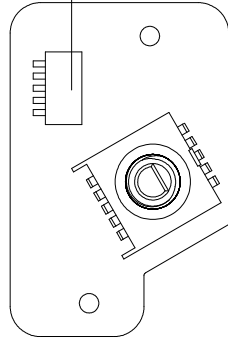
GND

TE2

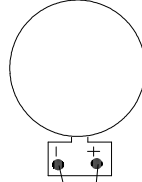
CN0100001604

CN0220001507

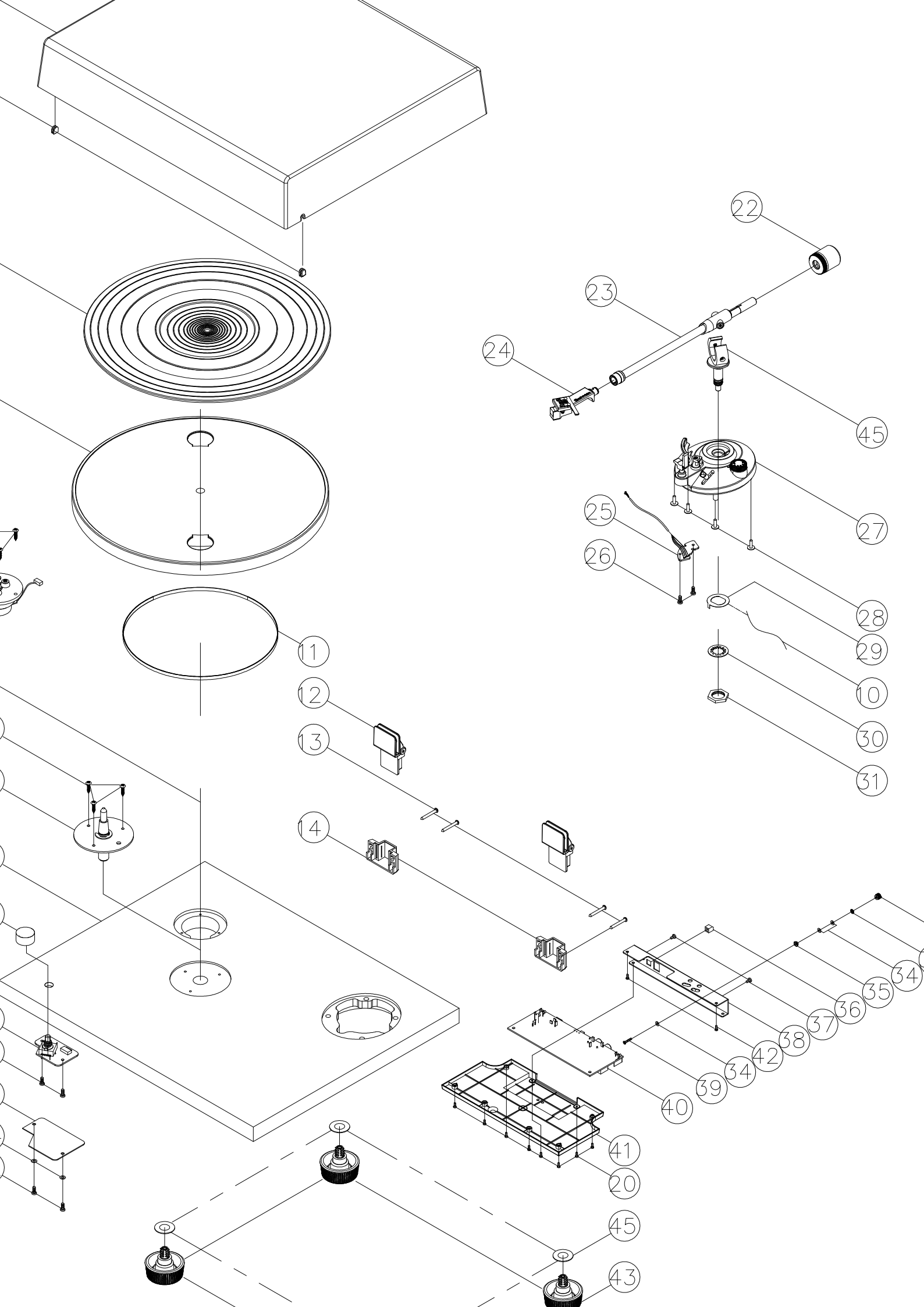
CN0520004502



白  
紅



MEM09S60T17-4  
DC馬達  
(DC MOTOR)





## AT-LPW30TK BOM

| LEVEL                                                           | P/N           | DESCRIPTION                            | QTY | REF                                                                                     |
|-----------------------------------------------------------------|---------------|----------------------------------------|-----|-----------------------------------------------------------------------------------------|
| 1                                                               | BATWS-6       | Cushion(Screw)                         | 4   | 45                                                                                      |
| 1                                                               | BC1015025000  | Bubble Pad                             | 1   |                                                                                         |
| 1                                                               | BE1744506B    | Belt                                   | 1   | 11                                                                                      |
| 1                                                               | CB310S082     | Separate Wall                          | 1   |                                                                                         |
| 1                                                               | CB310S083     | Separate Wall                          | 1   |                                                                                         |
| 1                                                               | CL13001PE     | Wire Tie                               | 1   |                                                                                         |
| 1                                                               | CN0520004502  | Flat Cable 5Pin Pitch 2.0mm Single Row | 1   |                                                                                         |
|                                                                 |               | Length:450 Female/Female Header+PVC    |     |                                                                                         |
| 1                                                               | CTTT1513ATN01 | Carton                                 | 1   |                                                                                         |
| 1                                                               | K46-1         | Wire Tie                               | 2   |                                                                                         |
|                                                                 |               |                                        |     |                                                                                         |
|                                                                 |               |                                        |     |                                                                                         |
| <b>Label (AT-LPW30TK)</b><br>(TT1ATN01,02,04,06,07,0A,0R,0S,0T) |               |                                        |     |                                                                                         |
| 1                                                               | LAP22ATN48    | Bar Code Label                         | 1   | ALL                                                                                     |
| 1                                                               | LAP22ATN51    | Bar Code Label                         | 1   | ALL                                                                                     |
| 1                                                               | LAP54ATN26    | Voltage Label                          | 1   | ATN01(USA),ATN02(EU),<br>ATN04(SAA),ATN07(JIS),<br>ATN0R(Soviet Union),ATN0S(Singaporv) |
| 1                                                               | LAP62ATN03    | Bar Code Label                         | 1   | ATN01(USA)                                                                              |
| 1                                                               | LAP64ATN61    | EAP Label                              | 1   | ATN01(USA)                                                                              |
| 1                                                               | LAP62ATN27    | Bar Code Label                         | 1   | ATN02(EU)                                                                               |
| 1                                                               | LAP62ATN33    | Bar code Label                         | 1   | ATN04(SAA)                                                                              |
| 1                                                               | LAP62ATN52    | Bar Code Label                         | 1   | ATN04(SAA)                                                                              |
| 1                                                               | LAP54ATN31    | Voltage Label                          | 1   | ATN06(KS)                                                                               |
| 1                                                               | LAP62ATN32    | Bar code Label                         | 1   | ATN06(KS)                                                                               |
| 1                                                               | LAP62ATN53    | Bar Code Label                         | 1   | ATN06(KS)                                                                               |
| 1                                                               | LAP62ATN34    | Bar code Label                         | 1   | ATN07(JIS)                                                                              |
| 1                                                               | LAP54ATN57    | Voltage Label                          | 1   | ATN0A(China)                                                                            |
| 1                                                               | LAP62ATN58    | Bar Code Label                         | 1   | ATN0A(China)                                                                            |
| 1                                                               | LAP62ATN59    | Bar Code Label                         | 1   | ATN0A(China)                                                                            |
| 1                                                               | LAP62ATN30    | Bar code Label                         | 1   | ATN0R(Soviet Union)                                                                     |
| 1                                                               | LAP62ION401   | EAC Label                              | 1   | ATN0R(Soviet Union)                                                                     |
| 1                                                               | LAP62ATN35    | Bar code Label                         | 1   | ATN0S(Singaporv)                                                                        |
| 1                                                               | LAP62ATN54    | Bar Code Label                         | 1   | ATN0S(Singaporv)                                                                        |
| 1                                                               | LAP54ATN37    | Voltage Label                          | 1   | ATN0T(Taiwan)                                                                           |
| 1                                                               | LAP62ATN36    | Bar code Label                         | 1   | ATN0T(Taiwan)                                                                           |
|                                                                 |               |                                        |     |                                                                                         |

## AT-LPW30TK BOM

| LEVEL | P/N            | DESCRIPTION                          | QTY | REF |
|-------|----------------|--------------------------------------|-----|-----|
| 1     | MT580473601    | Signal Output Metal(Painting Black)  | 1   | 38  |
| 1     | MT5810631      | Knob Alumic Shell Process            | 1   | 16  |
| 1     | NM5804702      | Flet                                 | 1   |     |
| 1     | NM58302257     | Wood Cabinet                         | 1   | 15  |
| 1     | NP258ATN01     | Name Plate                           | 1   | 19  |
| 1     | NUT01030IID    | Nut                                  | 1   | 35  |
| 1     | NUT05030ICU    | Nut                                  | 1   | 32  |
| 1     | OPTT2ATN04     | Quick Instruction Book               | 1   |     |
| 1     | OPTT2ATN05     | Safety Manual                        | 1   |     |
| 1     | PE060930BO     | Pe Bag                               | 5   |     |
| 1     | PE230370404B09 | Pe Bag                               | 1   |     |
| 1     | PE540610406B07 | Plastic bag                          | 1   |     |
| 1     | PL295060030    | Poly Foam                            | 2   |     |
| 1     | PLTT201        | Polyfoam(L)                          | 1   |     |
| 1     | PLTT202        | PolyfoamR)                           | 1   |     |
| 1     | PT1510643      | ALPHA Knob                           | 1   | 36  |
| 1     | PT3602203      | 45rpm Adaptor,Plated Plastic         | 1   |     |
| 1     | PT5830106      | Dust Cover                           | 1   | 1   |
| 1     | PT5830334      | Bottom                               | 1   | 41  |
| 1     | PT5830401      | Plastic Fix Base                     | 2   | 14  |
| 1     | RU2005104      | Rubber Mat                           | 1   | 3   |
| 1     | RU5830501      | Top Cover Runner                     | 2   | 2   |
| 1     | RU5830626      | Foot                                 | 4   | 43  |
| 1     | SC0306RIBI     | Screw M3X6 PPB                       | 2   | 37  |
| 1     | SC0310RACI     | Screw M3X10 PPC Tapping              | 2   | 18  |
| 1     | SC0310WBNI     | Screw M3X10XΦ9 Prwn W/Washer Tapping | 4   | 28  |
| 1     | SC0314PMJI     | Screw M3X14 PPN                      | 1   | 39  |
| 1     | SC0315BABI     | Screw                                | 6   | 7   |
| 1     | SC0325PABI     | Screw M3x25,PPB Tapping              | 4   | 13  |
| 1     | SC3510BABI     | Screw                                | 4   | 42  |
| 1     | SC3516BABI     | Screw                                | 8   | 20  |
| 1     | WR03RCA10002   | RCA Cable 3P 1000mm RCA/RCA+GND      | 1   |     |
|       |                | gold-plated                          |     |     |
| 1     | WS073307IC     | Washer Flat                          | 3   | 34  |
| 1     | WS108004105M   | Washer                               | 2   | 44  |
| 1     | WS663309IC     | Spring Washer 3#                     | 1   | 33  |
|       |                |                                      |     |     |

## AT-LPW30TK BOM

| LEVEL                              | P/N                    | DESCRIPTION                     | QTY      | REF                                  |
|------------------------------------|------------------------|---------------------------------|----------|--------------------------------------|
| <b>Adaptor (AT-LPW30TK)</b>        |                        |                                 |          |                                      |
| (TT1ATN01,02,04,06,07,0A,0R,0S,0T) |                        |                                 |          |                                      |
| 1                                  | SPSAGPE12005061        | Adaptor DC 12V/0.5A UL/JU       | 1        | <b>ATN01(USA),07(JIS),0T(Taiwan)</b> |
| 1                                  | SPSAGPE12005062        | Adaptor DC 12V 0.5A EU/UK       | 1        | <b>ATN02(EU)</b>                     |
| 1                                  | <b>TWGPE053A120564</b> | <b>Adaptor DC12V/0.5A AU</b>    | <b>1</b> | <b>ATN04(SAA)</b>                    |
| 2                                  | OTGPEK053SAA           | GPE SAA                         | 1        |                                      |
| 2                                  | SPSAGPE053A1205        | Switch Power 12V/0.5A           | 1        |                                      |
| 1                                  | <b>TWGPE053A120566</b> | <b>Adaptor DC12V/0.5A KS</b>    | <b>1</b> | <b>ATN06(KS)</b>                     |
| 2                                  | OTGPEK053KS            | GPE KS                          | 1        |                                      |
| 2                                  | SPSAGPE053A1205        | Switch Power 12V/0.5A           | 1        |                                      |
| 1                                  | <b>TWGPE053A12050A</b> | <b>Adaptor DC12V/0.5A CH/HK</b> | <b>1</b> | <b>ATN0A(China)</b>                  |
| 2                                  | OTGPEK053ACCCP         | GPE China                       | 1        |                                      |
| 2                                  | OTGPEK053BS            | GPE UK                          | 1        |                                      |
| 2                                  | SPSAGPE120501          | Switch Power DC 12V/0.5A        | 1        |                                      |
| 1                                  | <b>TWGPE053A12050R</b> | <b>Adaptor DC12V/0.5A RS</b>    | <b>1</b> | <b>ATN0R(Soviet Union)</b>           |
| 2                                  | OTGPEK053VDEP          | GPE EU                          | 1        |                                      |
| 2                                  | SPSAGPE053A1205        | Switch Power 12V/0.5A           | 1        |                                      |
| 1                                  | <b>TWGPE053A12050S</b> | <b>Adaptor DC12V/0.5A SP</b>    | <b>1</b> | <b>ATN0S(Singaporv)</b>              |
| 2                                  | OTGPEK053BS            | GPE UK                          | 1        |                                      |
| 2                                  | SPSAGPE120501          | Switch Power DC 12V/0.5A        | 1        |                                      |
| 1                                  | <b>TWMT200520602</b>   | <b>Alumi Platter Assembly</b>   | <b>1</b> | <b>4</b>                             |
| 2                                  | CGMT2005205            | Platter inner Box               | 1        |                                      |
| 2                                  | CTCKD506YH32           | Platter Outer Box               | 0.059    |                                      |
| 2                                  | MT200520601            | Alumi Platter Process           | 1        |                                      |
| 3                                  | MT2005206              | Alumi Platter                   | 1        |                                      |
| 2                                  | PE360400404B09         | Pe Bag                          | 1        |                                      |
| 1                                  | <b>TWMT35056040109</b> | <b>Spindle Assembly</b>         | <b>1</b> | <b>21</b>                            |
| 2                                  | SC0204BIPI             | Screw M2X4 PBN                  | 1        |                                      |
| 2                                  | SK8                    | Ground plate                    | 1        |                                      |
| 2                                  | TWMT300550604          | Shaft and Brass Assembly        | 1        |                                      |
| 3                                  | ERE76SUS               | 6MM E Ring                      | 1        |                                      |
| 3                                  | MT5805603              | Copper                          | 1        |                                      |
| 3                                  | MT5905503              | Spinle                          | 1        |                                      |

## AT-LPW30TK BOM

| LEVEL    | P/N                    | DESCRIPTION                    | QTY      | REF       |
|----------|------------------------|--------------------------------|----------|-----------|
| 2        | TWMT35056040108        | Spindle Assembly               | 1        |           |
| 3        | ERE710                 | 10mm E Ring                    | 1        |           |
| 3        | MT350560401            | Metal Plate-Painting           | 1        |           |
| 4        | MT3505604              | Cabinet Metal Board            | 1        |           |
| 3        | MT5905614              | Bronze Sleeve(Spindle)         | 1        |           |
| 3        | WS080010NW             | Washer                         | 1        |           |
| 3        | WS100010SS             | Washer(Iron)                   | 1        |           |
| 2        | WS2402205IN            | Washer Spring 2mm              | 1        |           |
|          |                        |                                |          |           |
| <b>1</b> | <b>TWMT58003140602</b> | <b>Head Shell Assembly</b>     | <b>1</b> | <b>24</b> |
| 2        | CRATVM95C              | Cartridge                      | 1        |           |
| 2        | M216                   | Arm Wire(white)                | 1        |           |
| 2        | M217                   | Arm Wire(red)                  | 1        |           |
| 2        | M218                   | Arm Wire(green)                | 1        |           |
| 2        | M219                   | Arm Wire(blue)                 | 1        |           |
| 2        | MT5804903              | Fixed Screw M2.6x8             | 2        |           |
| 2        | PST020010TYH           | Tube                           | 4        |           |
| 2        | RU3900701              | Washer (T:0.8M/M)              | 1        |           |
| 2        | TWMT58003140601        | Head Shell Assembly            | 1        |           |
| 3        | MT580031406            | Head Shell Printing            | 1        |           |
| 4        | MT580031405            | Head Shell Process             | 1        |           |
| 5        | MT5800314              | Head Shell                     | 1        |           |
| 3        | TWMT390070401          | Fixed Aluminum head Assembly   | 1        |           |
| 4        | MT350070301            | Stud                           | 1        |           |
| 4        | MT390070401            | Aluminum Cover                 | 1        |           |
| 4        | PT390070401            | Cartridge Plate                | 1        |           |
| 5        | MT390070701            | Stud                           | 4        |           |
| 2        | WS052505P              | Washer                         | 2        |           |
|          |                        |                                |          |           |
| <b>1</b> | <b>TWMT58016220201</b> | <b>Counter weight Assembly</b> | <b>1</b> | <b>22</b> |
| 2        | MT580162202            | Counter weight Painting Silver | 1        |           |
| 3        | MT5801622              | Counter                        | 1        |           |
| 2        | PT200160611            | Counterweight Scale (Printing) | 1        |           |
| 3        | PT2001606              | Counterweight Scale            | 1        |           |
|          |                        |                                |          |           |
| <b>1</b> | <b>TWPA1263638E</b>    | <b>Tonearm Assembly</b>        | <b>1</b> | <b>23</b> |
| 2        | MT3504404              | Fixed Plate                    | 1        |           |
| 2        | MT360100501            | Spring Plate(Counter Weigh)    | 1        |           |
| 2        | MT5801310              | ARM Screw                      | 2        |           |
| 2        | NUT0504JCP             | Nut                            | 2        |           |

## AT-LPW30TK BOM

| LEVEL | P/N             | DESCRIPTION                           | QTY   | REF |
|-------|-----------------|---------------------------------------|-------|-----|
| 2     | PA1263638E      | Tonearm Assembly                      | 1     |     |
| 3     | MT350070109     | STUD HEADSHELL(Painting Silver)       | 1     |     |
| 4     | MT350070101     | Stud Headshell                        | 1     |     |
| 3     | MT3700701       | Washer                                | 1     |     |
| 3     | MT580093901     | ARM Tube aluminium silver             | 1     |     |
| 4     | MT5800939       | ARM Tube aluminium                    | 1     |     |
| 3     | TWB7-319        | Bronze Sleeve Plastic Assembly        | 1     |     |
| 4     | B7-3            | Bronze Sleeve Plastic                 | 1     |     |
| 5     | B7-2            | Bronze Sleeve                         | 1     |     |
| 4     | B7-5            | Spring                                | 4     |     |
| 4     | MT390070601     | Stud Headshell                        | 4     |     |
| 4     | TWWR0100002701  | Wire Assembly                         | 1     |     |
| 5     | WR0100002701    | Tonearm Wire Blue 270MM AWG36         | 1     |     |
| 5     | WR0100002702    | Tonearm Wire Green 270MM AWG36        | 1     |     |
| 5     | WR0100002703    | Tonearm Wire Red 270MM AWG36          | 1     |     |
| 5     | WR0100002704    | Tonearm Wire White 270MM AWG36        | 1     |     |
| 3     | WS2402205IN     | Washer Spring 2mm                     | 1     |     |
| 2     | PT580100501     | Balance Handle Process                | 1     |     |
| 3     | PT5801005       | Balance Handle                        | 1     |     |
| 2     | PT580111301     | Tonearm ARM Tube Base Painting Silver | 1     |     |
| 3     | PT5801113       | Tonearm ARM Tube Base                 | 1     |     |
| 2     | SC0203PAPI      | Screw M2X3 PPN Tapping                | 1     |     |
| 2     | SC0204PBNI      | Screw M2X4 PPN Tapping                | 5     |     |
| 2     | SK8             | Ground plate                          | 1     |     |
| 2     | TWMT3501202     | Bearing                               | 2     |     |
| 3     | BB010           | 1.0 Steel Ball                        | 8     |     |
| 3     | MT3501202       | Bearing Base                          | 2     |     |
| 3     | MT3501203       | Bearing Cover                         | 2     |     |
| 2     | TWMT58029380102 | Arm Collar Assembly(Silver)           | 1     |     |
| 3     | AA810179J       | Poly Bag 0063X0100XR04                | 1     |     |
| 3     | BLYMH01         | Blister Card                          | 0.05  |     |
| 3     | CB310N139       | Separate Wall                         | 0.05  |     |
| 3     | CT503513YMH01   | Outer Box                             | 0.005 |     |
| 3     | MT320110202     | Copper shaft                          | 1     |     |
| 3     | MT5801321       | Bronze                                | 1     |     |
| 3     | MT580293801     | ARM Base Collar Process               | 1     |     |
| 4     | MT5802938       | ARM Base Collar                       | 1     |     |
| 3     | PT581062701     | Anti Fixed Base Painting Silver       | 1     |     |
| 4     | PT5810627       | Anti Fixed Base                       | 1     |     |
| 3     | TWMT580112901   | Arm Stud Headshell Assembly           | 1     |     |

## AT-LPW30TK BOM

| LEVEL    | P/N                 | DESCRIPTION                              | QTY      | REF                   |
|----------|---------------------|------------------------------------------|----------|-----------------------|
| 4        | MT3201121           | Bearing                                  | 1        |                       |
| 4        | MT5801129           | Bearing Catching                         | 1        |                       |
| 4        | MT5801131           | Bearing Cover                            | 1        |                       |
| 3        | WS108005008S        | Washer                                   | 1        |                       |
| 2        | WR0036130B1         | Wire Black 130mm                         | 1        |                       |
| 2        | WS20401XN           | Washer                                   | 2        |                       |
|          |                     |                                          |          |                       |
| <b>1</b> | <b>TWPC18P01501</b> | <b>Main PCB Assembly</b>                 | <b>1</b> |                       |
| 2        | PC18P015            | Main PCB 2Layer FR-4 1.6T 172x55mm       | 1        |                       |
| 2        | TWPC18P015A01       | Main PCB Assembly                        | 1        | 40                    |
| 3        | AL2-51-4403         | Transistor 2N4403 PNP SOT-23             | 2        | Q3,5                  |
| 3        | AL2-85-0403         | IC TPS60403                              | 1        | IC16                  |
| 3        | CN0100001604        | Flat Cable GND Wire Black Length 160mm   | 1        | (GND)                 |
|          |                     | Line/Line                                |          |                       |
| 3        | CS101J5003NPO       | CCAP SMD 100pF/50V 5% 0603 NPO           | 2        | C17,25                |
| 3        | CS102J5003NPO       | CCAP SMD 1nF/50V 5% 0603 NPO             | 2        | C16,24                |
| 3        | CS104K5003X7R       | CCAP SMD 0.1uF/50V 10% 0603 X7R          | 7        | C12,23,37,38,44,45,46 |
| 3        | CS151J5003NPO       | CCAP SMD 150pF/50V 5% 0603 NPO           | 2        | C19,27                |
| 3        | CS272K5003X7R       | CCAP SMD 2.7nF/50V 10% 0603 X7R          | 2        | C4,11                 |
| 3        | CS475K1605X5R       | CCAP SMD 4.7uF/16V 10% 0805 X5R          | 3        | C69,70,71             |
| 3        | DIEN1N4148WSM       | HF Diode 1N4148 SOD123 SMD               | 3        | D2,3,4                |
| 3        | EC10625TS           | Capacitor Electrolytic 10uF/25V 5*5mm    | 2        | EC8,9                 |
| 3        | EC10725TS           | ECAP General Purpose 100uF/25V 8*5mm     | 3        | EC21,24,26            |
|          |                     | DIP                                      |          |                       |
| 3        | EC22550TS           | Capacitor Electrolytic 2.2uF/50V 4*5mm   | 2        | EC17,23               |
| 3        | EC22625TS           | Capacitor Electrolytic 22uF/25V 6.3*5mm  | 3        | EC1,6,7               |
| 3        | EC22725T            | Capacitor Electrolytic 220uF/25V 8*12mm  | 4        | EC5,10,28,29          |
| 3        | EC47525TS           | Capacitor Electrolytic 4.7uF/25V 4*5mm   | 1        | EC3                   |
| 3        | EC47625TS           | Capacitor Electrolytic 47uF/25V 8*5mm    | 2        | EC18,25               |
| 3        | EC47725             | Ecap General Purpose 470uF/25V 8*14mm    | 1        | EC27                  |
| 3        | ICBA05FP            | IC (SMD 5V)                              | 1        | IC9                   |
| 3        | ICNJM2387           | IC ADJ LDO NJM2387ADL3 TO-252-5          | 1        | IC10                  |
| 3        | ICNJM8080G          | IC NJM8080G-TE1 Dual Audio Operation     | 2        | IC6,7                 |
|          |                     | Amplifier SOP8                           |          |                       |
| 3        | ICUTC6652           | IC UTC6652                               | 1        | IC1                   |
| 3        | JK4103909-0580B     | RCA Jack (One Output)                    | 1        | JK1                   |
| 3        | JKDJ-0702B-020      | DC Base 2.0MM                            | 1        | JK2                   |
| 3        | MC153100MM          | Mayler Capacitor(Box) 0.015uF 5% 100V    | 2        | C20,26                |
| 3        | MC473100MM          | Mayler Capacitor(BOX)0.047uF 5% 100V DIP | 2        | C21,28                |
| 3        | MT11044128          | Fixed Plate                              | 2        | (MT1,2)               |

## AT-LPW30TK BOM

| LEVEL | P/N                  | DESCRIPTION                              | QTY      | REF                |
|-------|----------------------|------------------------------------------|----------|--------------------|
| 3     | RS000010J03          | RES 0Ω 5% SMD 0603                       | 2        | R77,78             |
| 3     | RS001K10F03          | RES 1K 1% SMD 0603                       | 3        | R5,63,72           |
| 3     | RS001M10F03          | RES 1M 1% SMD 0603                       | 2        | R34,54             |
| 3     | RS010008F05          | RES 100Ω 1% SMD 0805                     | 2        | R101,102           |
| 3     | RS010010F03          | RES 100Ω 1% SMD 0603                     | 2        | R70,71             |
| 3     | RS010K10F03          | RES 10K 1% SMD 0603                      | 1        | R73                |
| 3     | RS012K10F03          | RES 12K 1% SMD 0603                      | 1        | R64                |
| 3     | RS022010F03          | RES 220Ω 1% SMD 0603                     | 5        | R3,20,23,40,69     |
| 3     | RS022K10F03          | RES 22K 1% SMD 0603                      | 2        | R9,11              |
| 3     | RS024K10F03          | RES 24K 1% SMD 0603                      | 1        | R56                |
| 3     | RS02K210F03          | RES 2.2K 1% SMD 0603                     | 2        | R30,50             |
| 3     | RS033010F03          | RES 330Ω 1% SMD 0603                     | 2        | R32,53             |
| 3     | RS039010F03          | RES 390Ω 1% SMD 0603                     | 2        | R24,41             |
| 3     | RS047010F03          | RES 470Ω 1% SMD 0603                     | 2        | R25,44             |
| 3     | RS047K10F03          | RES 47K 1% SMD 0603                      | 1        | R1                 |
| 3     | RS04K710F03          | RES 4.7K 1% SMD 0603                     | 1        | R7                 |
| 3     | RS051010F03          | RES 510Ω 1% SMD 0603                     | 1        | R74                |
| 3     | RS056K10F03          | RES 56K 1% SMD 0603                      | 2        | R26,45             |
| 3     | RS05K110F03          | RES 5.1K 1% SMD 0603                     | 2        | R28,48             |
| 3     | RS068K10F03          | RES 68K 1% SMD 0603                      | 3        | R6,27,47           |
| 3     | RS06K810F03          | RES 6.8K 1% SMD 0603                     | 1        | R60                |
| 3     | RS082010F03          | RES 820Ω 1% SMD 0603                     | 2        | R75,76             |
| 3     | RS100K10F03          | RES 100K 1% SMD 0603                     | 7        | R2,4,8,21,22,37,42 |
| 3     | SV102000602          | Semifixed Resistor 1KΩ 5.5mm Ceramics    | 1        | SV1                |
| 3     | SV501000602          | Semifixed Resistor 500Ω 5.5mm Ceramics   | 1        | SV2                |
| 3     | SWSPUN19C606         | Switch Push 2P2T Dual-Row Lock           | 1        | SW3                |
| 3     | SWVS6P001            | Switch Slide 2P2T                        | 1        | SW1                |
| 3     | TE10200502           | Connector (5P Socket)180°                | 2        | TE1,2              |
| 3     | TE612000202          | Terminal 2P 2.0 180°                     | 1        | TE5                |
| 3     | TR2SD2114KSM         | Transistor 2SD2114K NPN SOT-23           | 5        | Q1,2,4,6,7         |
| 3     | UH465516-351         | Common mode inductance-350Ω              | 1        | L3                 |
| 2     | TWPC18P015B01        | Speed PCB Assembly                       | 1        | 17                 |
| 3     | SWSR1712F020320      | Switch Rotational 2P3T Shaft Length 25mm | 1        | SW2                |
| 3     | TE622000501          | Socket 5P 90°                            | 1        | TE3                |
|       |                      |                                          |          |                    |
| 1     | <b>TWPT203040304</b> | <b>Hinge Plastic Assembly</b>            | <b>2</b> | <b>12</b>          |
| 2     | MT2030401            | Hinge Stud                               | 2        |                    |
| 2     | PT2030403            | Hinge Plastic                            | 2        |                    |
| 2     | PT2030404            | Hinge Plastic                            | 2        |                    |
| 2     | PT5830404            | Hinge plastic                            | 2        |                    |

## AT-LPW30TK BOM

| LEVEL    | P/N                    | DESCRIPTION                                                       | QTY      | REF       |
|----------|------------------------|-------------------------------------------------------------------|----------|-----------|
| 2        | SP2030401              | Spring Hinge                                                      | 2        |           |
| <b>1</b> | <b>TWPT580291402</b>   | <b>Motor Fixed Base Assembly</b>                                  | <b>1</b> | <b>8</b>  |
| 2        | PT5802914              | Base(Motor)                                                       | 1        |           |
| 2        | RU4109301              | Cushion Motor                                                     | 3        |           |
| 2        | SC2608W8INI            | Screw                                                             | 3        |           |
| 2        | TWM09S60T17-421        | Motor Assembly                                                    | 1        |           |
| 3        | CN0220001507           | lat Cable 2Pin Pitch 2.0mm Single Row<br>Length 150mm Female/Line | 1        |           |
| 3        | MEM09S60T17-4          | DC MOTOR(28Ω)                                                     | 1        |           |
| 3        | MT5809516              | Motor Cap                                                         | 1        |           |
| <b>1</b> | <b>TWPT58029160101</b> | <b>ARM Base Process Assembly</b>                                  | <b>1</b> | <b>27</b> |
| 2        | CSB72                  | Cs Ring (2mm)                                                     | 1        |           |
| 2        | MT0101809              | Earther Plate                                                     | 1        | <b>29</b> |
| 2        | MT320110701            | Nut                                                               | 1        | <b>31</b> |
| 2        | MT3540206              | Metal Plate (Anti Skating)                                        | 1        |           |
| 2        | MT3603801              | Metal Brass                                                       | 1        |           |
| 2        | MT5813319              | Cueng Rotated Sleeve                                              | 1        |           |
| 2        | NUT0403IIZ             | Nut 3M/M                                                          | 1        |           |
| 2        | P3513302               | Lever Cueing                                                      | 1        |           |
| 3        | M3513306               | Cueing Shaft                                                      | 1        |           |
| 2        | PT3503605              | Arm Rest                                                          | 1        |           |
| 3        | M351005IC              | Stud,Arm                                                          | 1        |           |
| 2        | PT3503610              | Arm Hook                                                          | 1        |           |
| 2        | PT3513322              | Cueing Accessory Fixed                                            | 1        |           |
| 2        | PT354010814            | Anti Skating(Painting)                                            | 1        |           |
| 3        | PT3540108              | Knob                                                              | 1        |           |
| 2        | PT3540204              | Anti-Skating                                                      | 1        |           |
| 2        | PT3601301              | Push Rod                                                          | 1        |           |
| 2        | PT580291601            | ARM Base Process                                                  | 1        |           |
| 3        | PT5802916              | ARM Base                                                          | 1        |           |
| 2        | PT5840203              | Anti Skating Assembly                                             | 1        |           |
| 2        | SC0308PBNI             | Screw                                                             | 1        |           |
| 2        | SC0308RBNI             | Screw M3X8 PRN Tapping                                            | 2        | <b>26</b> |
| 2        | SC2608PBNI             | Screw M2.6*8 PPN Tapping                                          | 1        |           |
| 2        | SC2611RINI             | Screw M2.6X11 PPN                                                 | 1        |           |
| 2        | SP3513325              | Spring For Eleuator                                               | 1        |           |
| 2        | SP3540303              | Spring                                                            | 1        |           |
| 2        | SP3606403              | Spring                                                            | 1        |           |



